

Republic of the Philippines  
**ENERGY REGULATORY COMMISSION**  
Pasig City

**IN THE MATTER OF THE  
APPLICATION FOR  
AUTHORITY TO DEVELOP,  
OWN, AND OPERATE  
DEDICATED POINT-TO-  
POINT LIMITED  
TRANSMISSION  
FACILITIES TO CONNECT  
THE BAC-MAN BATTERY  
ENERGY STORAGE SYSTEM  
PROJECT TO THE LUZON  
GRID, WITH MOTION FOR  
PROVISIONAL AUTHORITY  
AND FOR CONFIDENTIAL  
TREATMENT OF  
INFORMATION**

**ERC CASE NO. 2024-033 MC**

**ENERGY DEVELOPMENT  
CORPORATION,**

*Applicant.*

X-----X

**Promulgated:**  
August 19, 2024

**NOTICE OF VIRTUAL HEARING**

**TO ALL INTERESTED PARTIES:**

Notice is hereby given that on 19 July 2024, the Energy Development Corporation (EDC) filed, through the Energy Virtual One-Stop Shop (EVOSS) portal, an *Application* dated 12 July 2024, seeking the Commission's approval of its application for authority to develop, own and operate dedicated point-to-point limited transmission facilities to connect the Bac-Man Battery Energy Storage System Project to the Luzon Grid, with motion for provisional authority and for confidential treatment of information.

The pertinent allegations in the said *Application* are hereunder quoted, as follows:

A. Introduction

1. EDC is a corporation duly organized and validly existing under and by virtue of the laws of the Republic of the Philippines, with principal office address at 9<sup>th</sup> Floor, Rockwell Business Center Tower 3, Ortigas Avenue, Pasig City. It may be served with orders and other legal processes through the undersigned counsel.

2. EDC is in business of generation, sale, and supply of electricity from renewable energy (“RE”) sources, including participation and trading in any market for electricity, ancillary, power, or intangible assets and to engage in additional business activities arising from or related to EDC’s primary purpose, including energy storage.<sup>1</sup>

3. In its Power Development Plan 2020-2040, the Department of Energy (“DOE”) recognizes the growing demand for power in the Philippines. For the Luzon Grid, the DOE projects the peak demand to more than triple, from 11,103 MW in 2020 to 36,631 MW in 2040. Given this, and based on its simulations for a high-demand scenario vis-à-vis an aspirational target of 50% renewable energy power generation mix by 2040 (i.e., “RE50-High Demand Scenario”), the DOE projects that a total of 50,136 MW in new build capacities must be added to meet the demand and reserve margin requirements of the Grid. Renewable energy’s share in these new build capacities are broken down as follows: 25,579 MW from solar; 3,860 MW from hydro; 7,487 MW from wind; 270 MW from biomass; and 120 MW from geothermal.<sup>2</sup>

4. Based on the DOE’s list of Solar Energy Service Contract (“SESC”) applications, as of March 2023, there is a projected 7,622.681 MW of solar capacity in the pipeline for Luzon. And based on the DOE’s list of awarded SESCOs as of March 2023, this amounts to 42% of the total potential solar capacity in Luzon with SESCOs (18,074.99 MW), and represents a ten-fold increase over the current installed solar capacity in Luzon (789.16 MW). This dramatic increase in variable renewable energy (“VRE”) could lead to widespread curtailment of non-VRE plants during peak hours similar to the situation in Negros Island. The intermittence of VRE may likewise negatively impact grid stability, and necessitate a combination of higher flexibility from generators, and more ancillary services to balance the Grid.<sup>3</sup>

5. In anticipation of this increased VRE penetration which may negatively affect the reliability of the Grid, and to help address the

---

<sup>1</sup> Copies of EDC’s Certificate of Incorporation, Amended Articles of Incorporation and By-Laws, and latest General Information Sheet are attached hereto as Annexes “A”, “B”, “B-1”, and “C”, respectively.

<sup>2</sup> A print-out of the relevant section in the Department of Energy’s (DOE) Power Development Plan 2020-2040 and the relevant portion of NGCP’s recommended Transmission Development Plan (“TDP”) 2023-2040 showing the Project are attached hereto as Annexes “D” to “D-1”, respectively. A letter addressed to the DOE is also attached as Annex “D-2”

<sup>3</sup> The Project Background and Description, Project Description (Interconnection Facilities), Project Rationale, and EDC’s Feasibility Study on the Project are attached hereto as Annexes “E” to “E-3”, respectively.

increasing energy demand of the country, EDC is developing the 20MW / 20MWh BAC-MAN BATTERY ENERGY STORAGE SYSTEM (“BESS” or the “Project”). In DOE Circular No. DC2023-04-0008, the DOE recognized the applications and benefits of energy storage systems (ESS) in the improvement of the electric power system in accordance with the objective of ensuring the quality, reliability, security, sustainability, and affordability of the supply of electric power, and accelerating the exploration, development, and utilization of renewable energy (RE) resources.<sup>4</sup> The DOE recognized ESS as facilities capable of absorbing energy directly from the Grid or distribution system, or from a power plant connected to the Grid or distribution system and storing it for a period of time, and injecting stored energy when prompted, needed to ensure reliability and balanced power system.<sup>5</sup>

6. EDC’s Project can significantly assist in the improvement of the electric power system as contemplated by the DOE. As a RE generator, EDC recognizes the need for BESS so that if RE plants have to curtail (reduce) generation due to grid limitations or excess supply, the Project can store this curtailed energy and release it later when needed, maximizing the utilization of renewable resources and reducing wasted energy. The Project can store excess energy during peak generation and release it during periods of low generation, enabling a more reliable and consistent power supply. This smooths out the fluctuations in power supply, ensuring a more consistent flow of power to the Grid. Furthermore, the Project can provide grid frequency regulation which can help stabilize the Grid. While VRE output decreases, the grid frequency can drop, maintaining the crucial grid frequency. Conversely, during periods of high VRE output, the Project can absorb excess energy to prevent the frequency from rising too high.

7. In order to inject and absorb power from the Grid, as needed, EDC intends to construct point-to-point limited transmission facilities (the “Connection Asset”) that will connect the Project to the Luzon Grid, through the Palayan Binary 230kV Switchyard.<sup>6</sup> This Connection Asset will be used only for the purpose of connecting the BESS to the Grid, and will be used solely by EDC and not used to serve any end-user or supplier directly.

8. Section 9 of Republic Act (“RA”) 9136 or the Electric Power Industry Reform Act (“EPIRA”) of 2001 expressly provides that:

“A generation company may develop and own or operate dedicated point-to-point limited transmission facilities that are consistent with the Transmission Development Plan (“TDP”): *Provided*, That such facilities are required only for the purpose of connecting to the transmission system, and are used

---

<sup>4</sup> Section 1. DOE Circular No. 2023-04-0008.

<sup>5</sup> Section 2.11. DOE Circular No. 2023-04-008.

<sup>6</sup> The Options considered and the comparison of these options, Conceptual Engineering Design and Drawings, Gantt Chart schedule of the proposed projects, and Project Contractors are attached hereto as Annexes “N”, “R”, “S”, and “T”, respectively.

solely by the generating facility, subject to prior authorization by the ERC: *Provided, further*, That in the event that such assets are required for competitive purposes, ownership of the same shall be transferred to the TRANSCO at a fair market price: *Provided, finally*, That in the case of disagreement on the fair market price, the ERC shall determine the fair market value of the asset.”

**B. Allegations in Support of Application**

9. On 23 October 2009, EDC was granted a Certificate of Registration<sup>7</sup> by the DOE, with Registration No. GRESC 2009-10-003. This Certificate recognizes EDC as a Renewable Energy Developer of Geothermal Energy Resources located in Bacon-Manito Sorsogon/Albay (“Bacon-Manito Geothermal Project”), which is covered by Geothermal Renewable Energy Service Contract No. 2009-10-003.

10. As discussed above, EDC decided to develop the Project as it provides a flexible and responsive solution for integrating intermittent RE sources into the Grid. This helps maintain grid stability, improve power plant efficiency, and maximize the utilization of clean energy.

11. Upon the request of EDC, the National Grid Corporation of the Philippines (“NGCP”) conducted a System Impact Study (“SIS”) to determine the technical feasibility of the proposed Project. On 3 January 2024, the NGCP issued the SIS Report<sup>8</sup> concluding that the proposed connection of the Project to the Luzon Grid, through the Palayan Binary 230 kV Switchyard, is acceptable.

12. On 22 March 2018, EDC secured an Environmental Compliance Certificate under ECC No. ECC-CO-1607-0019 from the Department of Environment and Natural Resources (“DENR”) for the Bacon-Manito Geothermal Project. Thereafter, on 27 September 2023, the DENR sent a letter to EDC approving its request to amend ECC No. ECC-CO-1607-0019 to include the BESS.<sup>9</sup>

13. EDC also prepared a Facilities Study (“FS”) to determine the technical feasibility of connecting the proposed Project at the proposed connection point in compliance with Section 5.3 of the

---

<sup>7</sup> A copy of DOE Certificate of Registration No. GRESC 2009-10-003 issued to Energy Development Corporation on 23 October 2009 is attached hereto as Annex “F”. A copy of Other Relevant Certifications from DOE is attached hereto as Annex “U”.

<sup>8</sup> A copy of the letter from NGCP forwarding the SIS to EDC and NGCP’s System Impact Study on ± 30 MW Bac-Man Energy Storage System Project, the Final Report of the SIS, including letters to and from NGCP are attached hereto as Annex “G-series”.

<sup>9</sup> A copy of EDC’s Environmental Compliance Certificate (ECC) with No. ECC-CO-1607-0019, the letter from the DENR approving the amendment of ECC No. ECC-CO-1607-0019, and a letter dated June 13, 2024 are attached hereto as Annexes “H” to “H-3”, respectively.

Philippine Grid Code and B.14 of the Open Access Transmission Service. The FS was reviewed by NGCP on 21 March 2023.<sup>10</sup>

14. In addition, EDC is also in the process of obtaining the permits and licenses needed for the construction and development of the Project and will ensure timely application for such authorizations necessary for its operation, including the Certificate of Compliance (“COC”) from this Honorable Commission.<sup>11</sup>

*THE PROJECT'S CONNECTION ASSET  
WILL BE USED ONLY FOR THE  
PURPOSE OF CONNECTING THE BESS  
TO THE GRID*

15. A power plant and a BESS can have connection assets or component facilities that connect the power generator and the battery, respectively, to the Grid. This is evident from the Implementing Rules and Regulations (IRR) of RA 9136 or the EPIRA, which makes it an obligation of the Generation Company “to ensure that all its facilities connected to the Grid meet the technical design and operational criteria of the Grid Code and the Distribution Code promulgated by ERC”<sup>12</sup>, as well as under DOE Circular No. 2023-04-0008 where an ESS is required to “comply with the connection and operations requirements for ESS pursuant to the PGC, WESM Rules and relevant Market Manuals, and other relevant policies and regulations promulgated by the ERC and DOE”<sup>13</sup>.

16. The Connection Asset for the BESS will connect the Project to the Luzon Grid through the Palayan Binary 230kV Switchyard, and such Connection Asset will be used solely by EDC and will not be used to serve any end-user or supplier directly.

*THE PROJECT'S CONNECTION ASSET  
IS INCLUDED AND CONSISTENT WITH  
NGCP'S 2023 TDP, WHICH IS FOR  
APPROVAL OF THE DOE*

17. The Connection Asset for the BESS is listed under Appendix 4 – Private Sector Initiated Power Projects (specifically page 191) of NGCP's 2023 TDP which is currently for the approval of the DOE. Additionally, considering the importance of the Project, EDC has submitted its request to DOE for the issuance of a Certificate of Endorsement.

*THE PROJECT'S CONNECTION ASSET  
IS FINANCIALLY FEASIBLE, AND EDC  
HAS THE FINANCIAL CAPABILITY TO*

---

<sup>10</sup> A copy of the Facilities Study and the Review Report on the FS are attached hereto and marked as Annexes “I” and “I-1”, respectively.

<sup>11</sup> A copy of the Affidavit of Miguel Lorenzo S. De Vera, Vice President of EDC, is attached hereto as Annex “J”.

<sup>12</sup> Sec.4(b) (i), Rule 5.

<sup>13</sup> Section 7.1, DOE Circular No. 2023-04-0008.

*DEVELOP, OPERATE, AND MAINTAIN  
THE CONNECTION ASSET*

18. The Connection Asset is financially feasible. The cost for constructing and developing the Connection Asset is estimated at Php 669,261,069.55.<sup>14</sup> The Project, including the Connection Asset, will be funded through a combination of debt and internally generated funds with a ratio of 70% debt and 30% equity.

19. EDC's 2022 and 2023 SEC Form 17-A will show that EDC has the financial capability to undertake the construction, development, operation, and maintenance of the entire Project,<sup>15</sup> which is expected to be in operation within the fourth quarter of 2024.<sup>16</sup>

20. In order to efficiently transmit electricity between the Project and the Luzon Grid, EDC intends to construct and develop the Connection Assets that will connect the Project to the Luzon Grid, through the Palayan Binary 230kV Switchyard.

*THE PROJECT'S CONNECTION ASSET  
IS ACCEPTABLE, AND EDC HAS THE  
TECHNICAL CAPABILITY TO  
DEVELOP, OPERATE, AND MAINTAIN  
THE CONNECTION ASSET*

21. In its SIS issued on 3 January 2024, NGCP has determined that the proposed connection of the Project to the Luzon Grid, through the Palayan Binary 230 kV Substation, is acceptable.

22. Likewise, EDC's track record shows that it has the technical capability to develop, construct, operate, and maintain the Connection Asset based on the design and configuration in the SLD attached to the SIS as accepted by NGCP.

22.1. EDC owns and operates the Unified Leyte Geothermal Power Plant Complex (the "ULGPP") including the Unified Leyte – Central Switching Station ("UL-CSS") which is the switchyard located inside the ULGPP and which serves as the centralized dispatching asset of the six power plants constituting the ULGPP (the "UL Plants") in relation to the import and export of generation output to the Grid.

22.2. The electricity generated by the UL Plants is aggregated and conveyed to the UL CSS through a 230-kV network composed of seven (7) switchyards, 23-km transmission lines, and 33 towers. The generated electricity is aggregated and is then dispatched to the

---

<sup>14</sup> A copy of the Detailed Estimated Cost of the Project is attached hereto as Annex "K".

<sup>15</sup> A copy of EDC's SEC Form 17-A for 2022 and 2023 are attached hereto as Annexes "L" and "L-1", respectively.

<sup>16</sup> A copy of the Relevant Dates of the Project is attached hereto as Annex "M".

**ERC CASE NO. 2024-033 MC**  
**NOTICE OF VIRTUAL HEARING / 19 August 2024**  
**PAGE 7 OF 13**

---

Grid through two points of interconnection to the Cebu and Luzon Grids.

23. The operation and maintenance of the Connection Asset is planned to be carried out by personnel belonging to the Facilities Operations and Maintenance (“FOM”) Group of EDC. These personnel will be under the supervision and direction of Engr. Liberato S. Virata, as the Head of EDC FOM. The personnel can all be contacted through EDC at its principal office address<sup>17</sup>.

*EDC SHOULD BE GRANTED  
AUTHORITY TO DEVELOP, OWN AND  
OPERATE THE CONNECTION ASSET*

24. Pursuant to Section 9 of the EPIRA, EDC hereby applies with the Honorable Commission for authority to develop, own, and operate the Connection Asset.

24.1 EDC’s Connection Asset is required only to connect the Project to the Luzon Grid through the Palayan Binary 230kV Switchyard.

24.2. The Connection Asset will be used solely by the Bac-Man Battery Energy Storage System Project, and will not be used to serve end-users or suppliers directly.

24.3 If the Connection Asset is taken out of the transmission system, it will not affect the Luzon Grid or other transmission customers connected to the Luzon Grid.

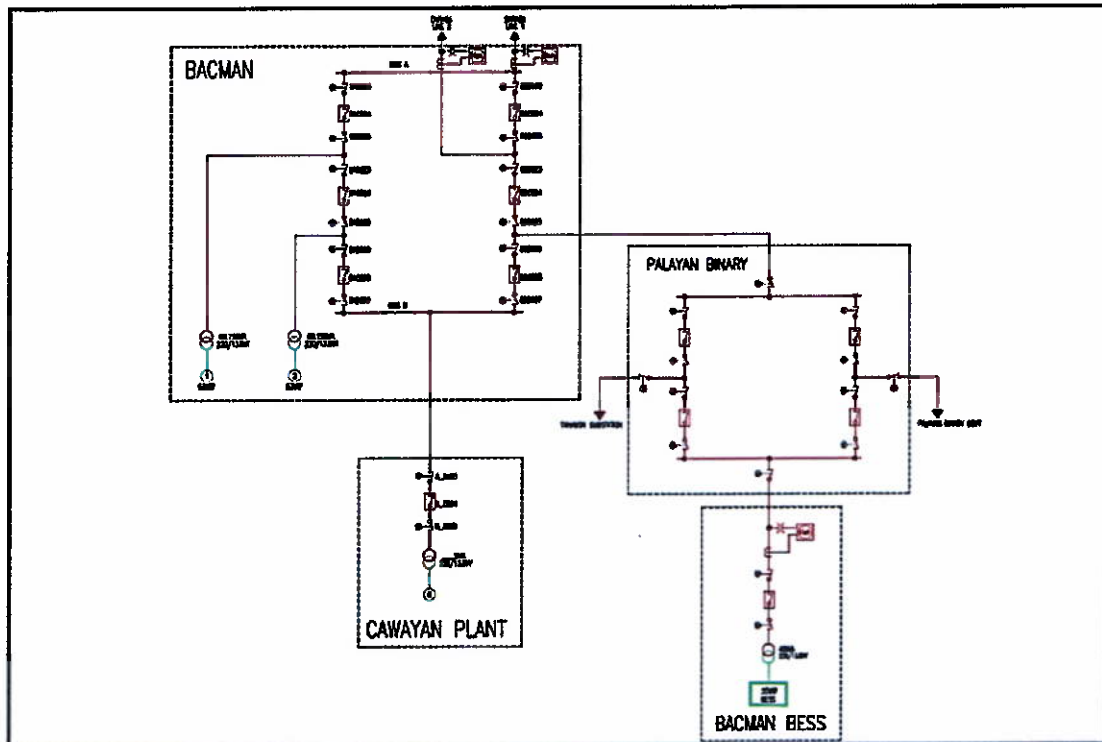
25. The single-line diagram of the proposed interconnection shows that the Connection Asset will be exclusively used to connect the Project to the Luzon Grid, through the 230 kV Palayan Bayan Binary Switchyard, and that the Connection Asset is not designed and configured to serve end-users or suppliers directly.<sup>18</sup>

*(This space was intentionally left blank.)*

---

<sup>17</sup> The list of names and addresses of personnel responsible for the design, installation, maintenance, and repair of equipment for the proposed system is attached hereto as Annex “O”.

<sup>18</sup> A copy of the Single Line Diagram is attached hereto as Annex “P”.



26. EDC undertakes to ensure that the Connection Asset will comply with the existing rules and regulations, particularly the 2016 Philippine Grid Code, and undertakes to comply with all such rules and regulations.<sup>19</sup>

**Motion for Provisional Authority and Allegations in Support of Prayer for Provisional Authority**

27. Rule 14 of the Honorable Commission's Rules of Practice and Procedure authorizes the issuance of a provisional authority or an interim relief prior to a final decision, provided that the facts and circumstances warrant the issuance of the same.

28. EDC intends to achieve commercial operations for the Project within the fourth quarter of 2024 to be able to inject and absorb power from the Grid which will be able address the possible curtailment of non-VRE projects and help provide grid stability and reliability. The Connection Assets, which will convey electricity between the Project and the Luzon Grid, is indispensable to the commercial operations of the Project.

29. In anticipation of the increased VRE penetration, the completion of the Project within the projected time frame is critical to ensure that additional VRE projects will increase the overall capacity of the Luzon Grid and not result in curtailment of existing non-VRE projects. Furthermore, the Project can also provide grid frequency regulation, the demand for which is expected to increase as VRE capacity increases. As such, EDC respectfully prays that the Honorable Commission provisionally authorize the development, ownership, and operation of the Connection Asset considering that

---

<sup>19</sup> An Undertaking to Comply with the 2016 Philippine Grid Code is attached hereto as Annex "Q".



**ERC CASE NO. 2024-033 MC**  
**NOTICE OF VIRTUAL HEARING / 19 August 2024**  
**PAGE 9 OF 13**

---

the power demand projected by the DOE warrants the issuance of a Provisional Authority.

30. It is in such context that EDC respectfully prays that a provisional authority be immediately issued for the development and construction of the Connection Asset.

**OTHER RELATED DOCUMENTS**

31. In further support of the instant application, the Applicant most respectfully submits to the Honorable Commission, the following documents:

| ANNEX    | CONFIDENTIAL DOCUMENTS   |
|----------|--|
| A        | Certificate of Incorporation of EDC  |
| B        | Amended Articles of Incorporation of EDC   |
| B-1      | By-Laws of EDC   |
| B-2      | Secretary's Certificate  |
| C        | Latest General Information Sheet of EDC  |
| D        | Excerpt from DOE Power Development Plan 2020-2040  |
| D-1      | Excerpt of NGCP's recommended Transmission Development Plan 2023-2040 showing the Project  |
| D-2      | Request for DOE Endorsement dated June 28, 2024  |
| E*       | Project Background and Description   |
| E-1*     | Project Description (Interconnection Facilities)   |
| E-2*     | Project Rationale  |
| E-3*     | Feasibility Study  |
| F        | DOE Certificate of Registration No. GRESC 2009-10-003  |
| G-series | Letter from NGCP forwarding the SIS to EDC and NGCP's System Impact Study on ±30 MW Bac-Man Energy Storage System Project, including letters to and from NGCP                                      |
| H        | Environmental Compliance Certificate with No. ECC-CO-1607-0019   |
| H-1      | Letter from the DENR dated 22 March 2018 approving the amendment of ECC No. ECC-CO-1607-0019   |
| H-2      | Letter from the DENR dated 27 September 2023 approving the minor amendment of ECC No. ECC-CO-1607-0019   |
| H-3      | Letter to the DENR dated June 13, 2024   |
| I        | Facilities Study   |
| I-1      | Review Report on the FS  |
| J        | Affidavit of Miguel Lorenzo S. De Vera, Vice President, stating that the necessary applications for approval and endorsement of the Project will be filed with the relevant government authorities |
| K*       | Detailed Estimated Cost of the Project   |
| L        | SEC Form 17-A for 2022   |
| L-1      | SEC Form 17-A for 2023   |
| M        | Relevant Dates of the Project  |

**ERC CASE NO. 2024-033 MC**  
**NOTICE OF VIRTUAL HEARING / 19 August 2024**  
**PAGE 10 OF 13**

---

|    |   |
|----|---|
| N  | Options considered and the comparison of these options  |
| O* | The list of names and addresses of personnel responsible for the design, installation, maintenance, and repair of equipment for the proposed system |
| P  | Single Line Diagram   |
| Q  | Undertaking to Comply with the 2016 Philippine Grid Code  |
| R* | Conceptual Engineering Design and Drawings  |
| S  | Gantt Chart schedule of the proposed projects   |
| T* | Project Contractors   |
| U  | Other relevant certifications from the DOE  |
| V  | Affidavit in Support of the Prayer for the Issuance of Provisional Authority  |

*\*Subject to motion for confidential treatment of information*

**Motion for Confidential Treatment of Information and Allegations in Support of the Prayer for Confidential Treatment of Information**

32. The Honorable Commission may, upon request of a party and determining that the disclosure of information requested to be treated as confidential information is justified, treat certain information submitted to it as confidential. Applicant is bound by confidentiality agreements prohibiting the disclosure of any business, technical, marketing, operational, organizational, financial or other information and trade secrets and other confidential documents, papers and information, as well as bound by data privacy law and rules as regards confidentiality of personal information of personnel or individuals.

33. Accordingly, the Applicant respectfully requests before the Honorable Commission that Annexes "E", "E-1", "E-2", "E-3", "K", "O", "R" and "T", attached hereto not be disclosed and be treated as confidential in accordance with Rule 4 of the ERC Rules. Annexes "E", "E-1", "E-2", "E-3", "K", "O", "R" and "T", attached hereto contain confidential information critical to the business operation of the Applicant, including trade secrets and business calculations, assumptions and projections, as well as personal employee information which may be covered by the Data Privacy Act.

**PRAYER**

Wherefore, Applicant EDC most respectfully prays that this Honorable Commission:

1. Issue an order provisionally authorizing EDC to develop, own, and operate the Connection Asset for the Bac-Man Battery Energy Storage System Project; and

2. After due notice and hearing, issue a final order: i) making the provisional authority a permanent authority to develop, own and operate the Connection Asset; and ii) authorizing EDC to operate and maintain the Connection Asset until such time said

**ERC CASE NO. 2024-033 MC**  
**NOTICE OF VIRTUAL HEARING / 19 August 2024**  
**PAGE 11 OF 13**

---

Connection Asset is otherwise re-classified – to be owned, operated and maintained by NGCP.

3. Issue an Order declaring the documents, and the information therein, duly marked as Annexes “E”, “E-1”, “E-2”, “E-3”, “K”, “O”, “R” and “T” as confidential information, within the purview of Rule 4 of the ERC Rules, thereby directing the same to be treated with confidentiality and be protected from public disclosure.

Other reliefs as may be appropriate under the circumstances are likewise prayed for.

XXX

The Commission hereby sets the instant *Application* for the determination of compliance with the jurisdictional requirements, expository presentation, and Pre-Trial Conference<sup>20</sup> on **27 September 2024 (Friday), at nine o'clock in the morning (9:00 A.M.)**, through **MS Teams Application** as the online platform for the conduct thereof, pursuant to Resolution No. 09, Series of 2020<sup>21</sup> and Resolution No. 01, Series of 2021 (ERC Revised Rules of Practice and Procedure).<sup>22</sup>

Interested stakeholders may submit their comments and/or clarifications **at least (1) calendar day** prior to the scheduled virtual hearing, via electronic mail (e-mail) at [docket@erc.ph](mailto:docket@erc.ph), and copy furnish the Legal Service through [legal@erc.ph](mailto:legal@erc.ph). The Commission shall give priority to the stakeholders who have duly submitted their respective comments and/or clarifications, to discuss the same and propound questions during the course of the expository presentation.

Moreover, any person who has an interest in the subject matter of the instant case may become a party by filing with the Commission via e-mail at [docket@erc.ph](mailto:docket@erc.ph), and copy furnishing the Legal Service through [legal@erc.ph](mailto:legal@erc.ph), a verified Petition to Intervene **at least five (5)**

---

<sup>20</sup> In the Commission's *Advisory* dated 26 July 2023, the Commission adopted the Summary Proceedings in accordance with Rule 17 of the Commission's Revised Rules of Practice and Procedure (ERC Revised RPP) in the filing, processing and evaluation of the applications for authority to develop and own or operate dedicated point-point limited transmission facilities, in the following instances: (1) Applications without intervenors, or uncontested applications; and (2) Applications with intervenors, provided all parties have agreed to subject the application to summary proceedings. Under the said summary proceedings and in accordance with Rule 17 of the ERC Revised RPP, the Applicant's presentation of evidence is through the submission and offering of the affidavits of its witnesses and other pieces of evidence within the time allowed by the Commission.

<sup>21</sup> A Resolution Adopting the Guidelines Governing Electronic Applications, Filings and Virtual Hearings Before the Energy Regulatory Commission.

<sup>22</sup> A Resolution Adopting the Revised Rules of Practice and Procedure of the Energy Regulatory Commission.

**calendar days** prior to the date of the initial virtual hearing. The verified Petition to Intervene must follow the requirements under Rule 9 of the ERC Revised Rules of Practice and Procedure, indicating therein the docket number and title of the case and state the following:

- 1) The petitioner's name, mailing address, and e-mail address;
- 2) The nature of petitioner's interest in the subject matter of the proceeding and the way and manner in which such interest is affected by the issues involved in the proceeding; and
- 3) A statement of the relief desired.

Likewise, all other persons who may want their views known to the Commission with respect to the subject matter of the case may file through e-mail at [docket@erc.ph](mailto:docket@erc.ph), and copy furnish the Legal Service through [legal@erc.ph](mailto:legal@erc.ph), their Opposition or Comment **at least five (5) calendar days** prior to the virtual hearing. Rule 9 of the ERC Revised Rules of Practice and Procedure shall govern. No particular form of Opposition or Comment is required, but the document, letter, or writing should contain the following:

- 1) The name, mailing address, and e-mail address of such person;
- 2) A concise statement of the Opposition or Comment; and
- 3) The grounds relied upon.

All interested parties filing their Petition to Intervene, Opposition or Comment are required to submit the hard copies thereof through personal service, registered mail or ordinary mail/private courier, **within five (5) working days** from the date that the same were electronically submitted, as reflected in the acknowledgment receipt e-mail sent by the Commission.

Any of the persons mentioned in the preceding paragraphs may access the copy of the *Application* on the Commission's official website at [www.erc.gov.ph](http://www.erc.gov.ph).

Finally, all interested persons may be allowed to join the scheduled virtual hearing by providing the Commission, through [legal.virtualhearings@erc.ph](mailto:legal.virtualhearings@erc.ph), with their respective e-mail addresses

**ERC CASE NO. 2024-033 MC**  
**NOTICE OF VIRTUAL HEARING / 19 August 2024**  
**PAGE 13 OF 13**

---

and indicting therein the case number of the instant *Application*. The Commission will send the access link to the aforementioned hearing platform **within five (5) working days** prior to the scheduled hearing.

**WITNESS**, the Honorable Commissioners **ALEXIS M. LUMBATAN, CATHERINE P. MACEDA, FLORESINDA G. BALDO-DIGAL** and **MARKO ROMEO L. FUENTES**, Energy Regulatory Commission, this 19<sup>th</sup> day of August 2024 in Pasig City.

*medimalanta*  
**MONALISA C. DIMALANTA**  
*Chairperson and CEO* jms

*Stacy*  
LS: MND/ARG/KTB

