

Republic of the Philippines
ENERGY REGULATORY COMMISSION
Pasig City

**IN THE MATTER OF THE
APPLICATION FOR
AUTHORITY TO DEVELOP
OWN, AND OPERATE
DEDICATED POINT-TO-
POINT LIMITED
TRANSMISSION
FACILITIES TO CONNECT
THE BAC-MAN BATTERY
ENERGY STORAGE SYSTEM
PROJECT TO THE LUZON
GRID, WITH MOTION FOR
PROVISIONAL AUTHORITY
AND FOR RELIEF AND
CONFIDENTIAL
TREATMENT OF
INFORMATION**

ERC CASE NO. 2024-033 MC

**ENERGY DEVELOPMENT
CORPORATION,**

Applicant.

X-----X

Promulgated:
August 19, 2024

ORDER

On 19 July 2024, the Energy Development Corporation (EDC) filed, through the Energy Virtual One-Stop Shop (EVOSS) portal, an *Application* dated 12 July 2024, seeking the Commission's approval of its application for authority to develop, own and operate dedicated point-to-point limited transmission facilities to connect Bac-Man Battery Energy Storage System Project to the Luzon Grid, with motion for provisional authority and confidential treatment of information.

The pertinent allegations in the said *Application* are hereunder quoted, as follows:

A. Introduction

1. EDC is a corporation duly organized and validly existing under and by virtue of the laws of the Republic of the Philippines,

with principal office address at 9th Floor, Rockwell Business Center Tower 3, Ortigas Avenue, Pasig City. It may be served with orders and other legal processes through the undersigned counsel.

2. EDC is in business of generation, sale, and supply of electricity from renewable energy (“RE”) sources, including participation and trading in any market for electricity, ancillary, power, or intangible assets and to engage in additional business activities arising from or related to EDC’s primary purpose, including energy storage.¹

3. In its Power Development Plan 2020-2040, the Department of Energy (“DOE”) recognizes the growing demand for power in the Philippines. For the Luzon Grid, the DOE projects the peak demand to more than triple, from 11,103 MW in 2020 to 36,631 MW in 2040. Given this, and based on its stimulations for a high-demand scenario vis-à-vis an aspirational target of 50% renewable energy power generation mix by 2040 (i.e., “RE50-High Demand Scenario”), the DOE projects that a total of 50,136 MW in new build capacities must be added to meet the demand and reserve margin requirements of the Grid. Renewable energy’s share in these new build capacities are broken down as follows: 25,579 MW from solar; 3,860 MW from hydro; 7,487 MW from wind; 270 MW from biomass; and 120 MW from geothermal.²

4. Based on the DOE’s list of Solar Energy Service Contract (“SESC”) applications, as of March 2023, there is a projected 7,622.681 MW of solar capacity in the pipeline for Luzon. And based on the DOE’s list of awarded SESCOs as of March 2023, this amounts to 42% of the total potential solar capacity in Luzon with SESCOs (18,074.99 MW), and represents a ten-fold increase over the current installed solar capacity in Luzon (789.16 MW). This dramatic increase in variable renewable energy (“VRE”) could lead to widespread curtailment of non-VRE plants during peak hours similar to the situation in Negros Island. The intermittence of VRE may likewise negatively impact grid stability, and necessitate a combination of higher flexibility from generators, and more ancillary services to balance the Grid.³

5. In anticipation of this increases VRE penetration which may negatively affect the reliability of the Grid, and to help address the increasing energy demand of the country, EDC is developing the 20MW / 20MWh BAC-MAN BATTERY ENERGY STORAGE

¹ Copies of EDC’s Certificate of Incorporation, Amended Articles of Incorporation and By-Laws, and latest General Information Sheet are attached hereto as Annexes “A”, “B”, “B-1”, and “C”, respectively.

² A print-out of the relevant section in the Department of Energy’s (DOE) Power Development Plan 2020-2040 and the relevant portion of NGCP’s recommended Transmission Development Plan (“TDP”) 2023-2040 showing the Project are attached hereto as Annexes “D” to “D-1”, respectively. A letter addressed to the DOE is also attached as Annex “D-2”

³ The Project Background and Description, Project Description (Interconnection Facilities), Project Rationale, and EDC’s Feasibility Study on the Project are attached hereto as Annexes “E” to “E-3”, respectively.

SYSTEM (“BESS” or the “Project”). In DOE Circular No. DC2023-04-0008, the DOE recognized the applications and benefits of energy storage system (ESS) in the improvement of the electric power system in accordance with the objective of ensuring the quality, reliability, security, sustainability, and affordability of the supply of electric power, and accelerating the exploration, development, and utilization of renewable energy (RE) resources.⁴ The DOE recognized ESS as facilities capable of absorbing energy directly from the Grid or distribution system, or from a power plant connected to the Grid or distribution system and storing it for a period of time, and injecting stored energy when prompted, needed to ensure reliability and balanced power system.⁵

6. EDC’s Project can significantly assist in the improvement of the electric power system as contemplated by the DOE. As a RE generator, EDC recognizes the need for BESS so that if RE plants have to curtail (reduce) generation due to grid limitations or excess supply, the Project can store this curtailed energy and release it later when needed, maximizing the utilization of renewable resources and reducing wasted energy. The Project can store excess energy during peak generation and release it during periods of low generation, enabling a more reliable and consistent power supply. This smooths out the fluctuations in power supply, ensuring a more consistent flow of power to the Grid. Furthermore, the Project can provide grid frequency regulation which can help stabilize the Grid. While VRE output decreases, the grid frequency from rising too high.

7. In order to inject and absorb power from the Grid, as needed, EDC intends to construct point-to-point limited transmission facilities (the “Connection Asset”) that will connect the Project to the Luzon Grid, through the Palayan Binary 230kV Switchyard.⁶ This Connect Asset will be used solely by EDC and not used to serve any end-use or supplier directly.

8. Section 9 of Republic Act (“RA”) 9136 or the Electric Power Industry Reform Act (“EPIRA”) of 2001 expressly provides that:

“A generation company may develop and own or operate dedicated point-to-point limited transmission facilities that are consistent with the Transmission Development Plan (“TDP”): *Provided*, That such facilities are required only for the purpose of connecting to the transmission system, and are used solely by the generating facility, subject to prior authorization by the ERC: *Provided, further*, That in the event that such assets are required for competitive purposes, ownership of the same shall be transferred to

⁴ Section 1. DOE Circular No. 2023-04-0008.

⁵ Section 2.11. DOE Circular No. 2023-04-0008.

⁶ The Options considered and the comparison of these options, Conceptual Engineering Design and Drawings, Gantt Chart schedule of the proposed projects, and Project Contractors are attached hereto as **Annexes “N”, “R”, “S”, and “T”**, respectively.

the TRANSCO at a fair market price, the ERC shall determine the fair market value of the asset.”

B. Allegations in Support of Application

9. On 23 October 2009, EDC was granted a Certificate of Registration⁷ by the DOE, with Registration No. GRESC 2009-10-003. This Certificate recognizes EDC as a Renewable Energy Developer of Geothermal Energy Resources located in Bacon-Manito Sorsogon/Albay (“Bacon-Manito Geothermal Project”), which is covered by Geothermal Renewable Energy Service Contract No. 2009-10-003.

10. As discussed above, EDC decided to develop the Project as it provides a flexible and responsive solution for integrating intermittent RE sources into the Grid. This helps maintain grid stability, improve power plant efficiency, and maximize the utilization of clean energy.

11. Upon the request of EDC, the National Grid Corporation of the Philippines (“NGCP”) conducted a System Impact Study (“SIS”) to determine the technical feasibility of the proposed Project. On 3 January 2024, the NGCP issued the SIS Report⁸ concluding that the proposed connection of the Project to the Luzon Grid, through the Palayan Binary 230 kV Switchyard, is acceptable.

12. On 22 March 2018, EDC secured an Environmental Compliance Certificate under ECC No. ECC-CO-1607-0019 from the Department of Environmental and Natural Resources (“DENR”) for the Bacon-Manito Geothermal Project. Thereafter, on 27 September 2023, the DENR sent a letter to EDC approving its request to amend ECC No. ECC-CO-1607-0019 to include the BESS.⁹

13. EDC also prepared a Facility Study (“FS”) to determine the technical feasibility of connecting the proposed Project at the proposed connection point in compliance with Section 5.3 of the Philippine Grid Code and B.14 of the Open Access Transmission Service. The FS was reviewed by NGCP on 21 March 2023.¹⁰

14. In addition, EDC is also in the process of obtaining the permits and licenses needed for the construction and development of the Project and will ensure timely application for such

⁷ A copy of DOE Certificate Registration No. GRESC 2009-10-003 issued to Energy Development Corporation on 23 October 2009 is attached hereto as **Annex “F”**. A copy of Other Relevant Certifications from DOE is attached hereto as **Annex “U”**.

⁸ A copy of the letter from NGCP forwarding the SIS to EDC and NGCP’s System Impact Study on ± 30 MW Bac-Man Energy Storage System Project, the Final Report of the SIS, including letters to and from NGCP are attached hereto as **Annex “G-series”**.

⁹ A copy of EDC’s Environmental Compliance Certificate (ECC) with No. ECC-CO-1607-0019, the letter from the DENR approving the amendment of ECC No. ECC-CO-1607-0019, and a letter dated June 13, 2024 are attached hereto as Annexes “H” to “H-3”, respectively.

¹⁰ A copy of the Facilities Study and the Review Report on the FS are attached hereto and marked as **Annexes “I”** and **“I-1”**, respectively.

authorizations necessary for its operation, including the Certificate of Compliance (“COC”) from this Honorable Commission. ¹¹

*THE PROJECT’S CONNECTION ASSET
WILL BE USED ONLY FOR THE
PURPOSE OF CONNECTING THE BESS
TO THE GRID*

15. A power plant and a BESS can have connection assets or component facilities that connect the power generator and the battery, respectively, to the Grid. This is evident from the Implementing Rules and Regulations (IRR) of RA 9136 or the EPIRA, which makes it an obligation of the Generation Company “to ensure that all its facilities connected to the Grid meet the technical design and operation criteria of the Grid Code and the Distribution Code Promulgated by ERC”¹², as well as under DOE Circular No. 2023-04-0008 where an ESS is required to “comply with the connection and operations requirements for ESS pursuant to the PGC, WESM Rules and relevant Market Manuals, and other relevant policies and regulations promulgated by the ERC and DOE.”¹³

16. The Connection Asset for the BESS will connect the Project to the Luzon Grid through the Palayan Binary 230kV Switchyard, and such Connection Asset will be used solely by EDC and will not be used to serve any end-user or supplier directly.

*THE PROJECT’S CONNECTION ASSET
IS INCLUDED AND CONSISTENT WITH
NGCP’S 2023 TDP, WHICH IS FOR
APPROVAL OF THE DOE*

17. The Connection Asset for the BESS is listed under Appendix 4 – Private Sector Initiated Power Projects (specifically page 191) of NGCP’s 2023 TDP which is currently for the approval of the DOE. Additionally, considering the importance of the Project, EDC has submitted its request to DOE for the issuance of a Certificate of Endorsement.

*THE PROJECT’S CONNECTION ASSET
IS FINANCIALLY FEASIBLE, AND EDC
HAS THE FINANCIAL CAPABILITY TO
DEVELOP, OPERATE, AND MAINTAIN
THE CONNECTION ASSET*

18. The Connection Asset is financially feasible. The cost for constructing and developing the Connection Asset is estimated at Php 669,261,069.55. ¹⁴ The Project, including the Connection Asset, will be funded through combination of debt and internally generated funds with a ratio of 70% debt and 30% equity.

¹¹ A copy of the Affidavit of Miguel Lorenzo S. De Vera, Vice President of EDC, is attached hereto as Annex “J”.

¹² Sec.4(b) (1), Rule 5.

¹³ Section 7.1, DOE Circular No. 2023-04-0008.

¹⁴ A copy of the Detailed Estimate Cost of the Project is attached hereto as Annex “K”.

19. EDC's 2022 and 2023 SEC Form 17-A will show that EDC has the financial capability to undertake the construction, development, operation, and maintenance of the entire Project,¹⁵ which is expected to be in operation within the fourth quarter of 2024.¹⁶

20. In order to efficiently transmit electricity between the Project and the Luzon Grid, EDC intends to construct and develop the Connection Assets that will connect the Project to the Luzon Grid, through the Palayan Binary 230kV Switchyard.

THE PROJECT'S CONNECTION ASSET IS ACCEPTABLE, AND EDC HAS THE TECHNICAL CAPABILITY TO DEVELOP, OPERATE, AND MAINTAIN THE CONNECTION ASSET

21. In its SIS issued on 3 January 2024, NGCP has determined that the proposed connection of the Project to the Luzon Grid, through the Palayan Binary 230 kV Substation, is acceptable.

22. Likewise, EDC's track record shows that it has the technical capability to develop, construct, operate, and maintain the Connection Asset based on the design and configuration in the SLD attached to the SIS as accepted by NGCP.

22.1. EDC owns and operates the Unified Leyte Geothermal Power Plant Complex (the "ULGPP") including the Unified Leyte – Central Switching Station ("UL-CSS") which is the switchyard located inside the ULGPP and which serves as the centralized dispatching asset of the six power plants constituting the ULGPP (the "UL Plants") in relation to the import and export of generation output to the Grid.

22.2. The electricity generated by the UL Plants is aggregated and conveyed to the UL CSS through a 230-kV network composed of seven (7) switchyards, 23-km transmission lines, and 33 towers. The generated electricity is aggregated and is then dispatched to the Grid through two points of interconnection to the Cebu and Luzon Grids.

23. The operation and maintenance of the Connection Asset is planned to be carried out by personnel belonging to the Facilities Operations and Maintenance ("FOM") Group of EDC. These personnel will be under the supervision and direction of Engr.

¹⁵ A copy of EDC's SEC Form 17-A for 2022 and 2023 are attached hereto as **Annexes "L" and "L-1", respectively.**

¹⁶ A copy of the Relevant Dates of the Project is attached hereto as **Annex "M"**.

Liberato S. Virata, as the Head of EDC FOM. The personnel can all be contracted through EDC at its principal office address¹⁷.

***EDC SHOULD BE GRANTED
AUTHORITY TO DEVELOP, OWN AND
OPERATE THE CONNECTION ASSET***

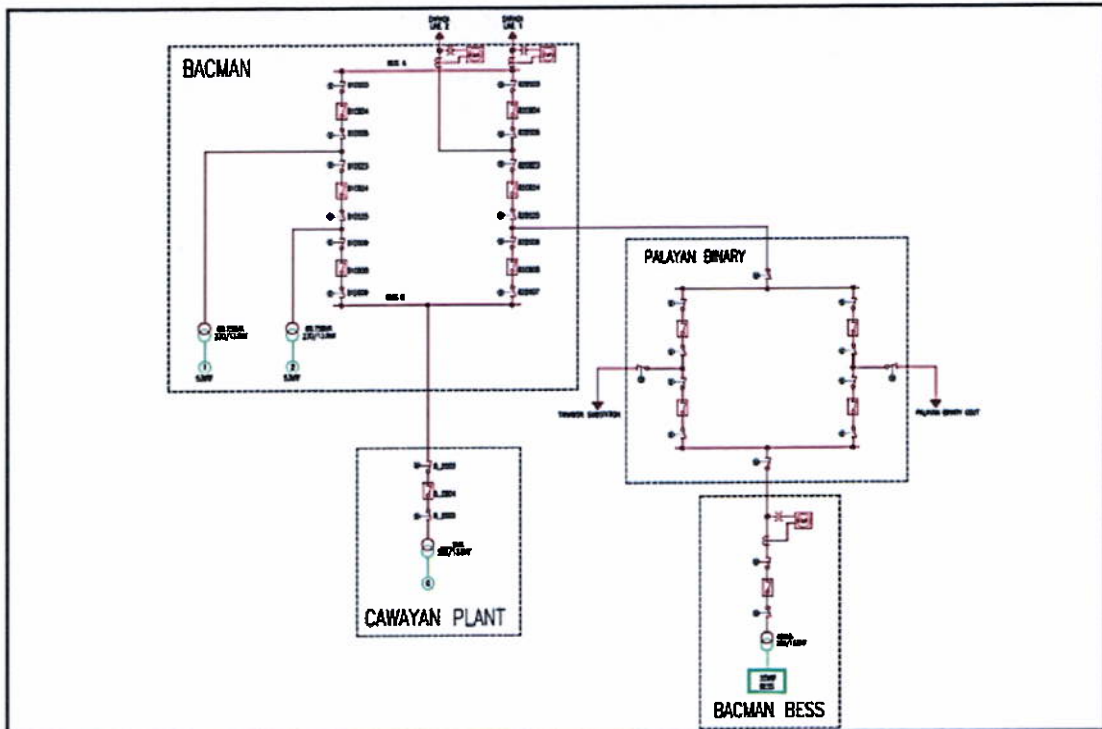
24. Pursuant to Section 9 of the EPIRA, EDC hereby applies with the Honorable Commission for Authority to develop, own, and operate the Connection Asset.

24.1 EDC's Connection Asset is required only to connect the Project to the Luzon Grid through the Palayan Binary 230kV Switchyard.

24.2. The connection Asset will be used solely by the Bac-Man Battery Energy Storage System Project, and will not be used to serve end-users or suppliers directly.

24.3 If the Connection asset is taken out of the transmission system, it will not affect the Luzon Grid or other transmission customers connected to the Luzon Grid.

25. The Single-line diagram of the proposed interconnection shows that the Connection Asset will be exclusively used to connect the Project to the Luzon Grid, through the 230 kV Palayan Bayan Binary Switchyard, and that the Connection asset is not designed and configured to serve end-users or suppliers directly.¹⁸



¹⁷ The list of names and addresses of personnel responsible for the design, installation, maintenance, and repair of equipment for the proposed system is attached hereto as Annex "O".
¹⁸ A copy of the Single Line Diagram is attached hereto as Annex "P".

26. EDC undertakes to ensure that the Connection Asset will comply with the existing rules and regulations, particularly the 2016 Philippine Grid Code, and undertakes to comply with all such rules and regulations.¹⁹

Motion for Provisional Authority and Allegations in Support of Prayer for Provisional Authority

27. Rule 14 of the Honorable Commission's Rules of Practice and Procedure authorizes the issuance of a provisional authority or an interim relief prior to a final decision, provided that the facts and circumstances warrant the issuance of the same.

28. EDC intends to achieve commercial operations for the Project within the fourth quarter of 2024 to be able to inject and absorb power from the Grid which will be able address the possible curtailment of non-VRE projects and help provide grid stability and reliability. The Connection Assets, which will convey electricity between the Project and the Luzon Grid, is indispensable to the commercial operations of the Project.

29. In anticipation of the increased VRE penetration, the completion of the Project within the projected time frame is critical to ensure that additional VRE projects will increase the overall capacity of the Luzon Grid and not result in curtailment of existing non-VRE projects. Furthermore, the Project can also provide grid frequency regulation, the demand for which is expected to increase as VRE capacity increases. As such, EDC respectfully prays that the Honorable Commission provisionally authorize the development, ownership, and operation of the Connection Asset considering that the power demand projected by the DOE warrants the issuance of a Provisional Authority.

30. It is in such context that EDC respectfully prays that a provisional authority be immediately issued for the development and construction of the Connection Asset.

OTHER RELATED DOCUMENTS

31. In further support of the instant application, the Applicant most respectfully submits to the Honorable Commission, the following documents:

ANNEX	CONFIDENTIAL DOCUMENTS
A	Certificate of Incorporation of EDC
B	Amended Articles of Incorporation of EDC
B-1	By-Laws of EDC
B-2	Secretary's Certificate
C	Latest General Information Sheet of EDC
D	Excerpt from the DOE Power Development Plan 2020-2040

¹⁹ An Undertaking to Comply with the 2016 Philippine Grid Code is attached hereto as Annex "Q".

ERC CASE NO. 2024-033 MC
ORDER/ 19 August 2024
PAGE 9 OF 16

D-1	Excerpt of NGCP's recommended Transmission Development Plan 2023-2040 showing the Project
D-2	Request for DOE Endorsement dated June 28, 2024
E*	Project Background and Description
E-1*	Project Description (Interconnection Facilities)
E-2*	Project Rationale
E-3*	Feasibility Study
F	DOE Certificate of Registration No. GRESC 2009-10-003
G-series	Letter from NGCP forwarding the SIS to EDC and NGCP's System Impact Study on ±30 MW Bac-Man Energy Storage System Project, including letters to and from NGCP
H	Environmental Compliance Certificate with No. ECC-CO-1607-0019
H-1	Letter from the DENR dated 22 March 2018 approving the amendment of ECC No. ECC-Co-1607-0019
H-2	Letter from the DENR dated 27 September 2023 approving the minor amendment of ECC No. ECC-Co-1607-0019
H-3	Letter to the DENR dated June 13, 2024
I	Facilities Study
I-1	Review Report on the FS
J	Affidavit of Miguel Lorenzo S. De Vera, Vice President, stating that the necessary applications for approval and endorsement of the Project will be filed with the relevant government authorities
K*	Detailed Estimated Cost of the Project
L	SEC Form 17-A for 2022
L-1	SEC Form 17-A for 2023
M	Relevant Dates of the Project
N	Options considered and the comparison of these options
O*	The list of names and addresses of personnel responsible for the design, installation, maintenance, and repair of equipment for the proposed system
P	Single Line Diagram
Q	Undertaking to Comply with the 2016 Philippine Grid Code
R*	Conceptual Engineering Design and Drawings
S	Gantt Chart schedule of the proposed projects
T*	Project Contractors
U	Other relevant certifications from the DOE
V	Affidavit in Support of the Prayer for the Issuance of Provisional Authority

**Subject to motion for confidential treatment of information*

Motion for Confidential Treatment of Information and Allegations in Support of the Prayer for Confidential Treatment of Information

32. The Honorable Commission may, upon request of a party and determining that the disclosure of information requested to be

treated as confidential information is justified, treat certain information submitted to it as confidential. Applicant is bound by confidentiality agreements prohibiting the disclosure of any business, technical, marketing, operational, organization, financial or other information and trade secrets and other confidential documents, papers and information, as well as bound by data privacy law and rules as regards confidentiality of personal information of personnel or individuals.

33. Accordingly, the Applicant respectfully requests before the Honorable Commission that **Annexes “E”, “E-1”, “E-2”, “E-3”, “K”, “O”, “R” and “T”**, attached hereto not be disclosed and be treated as confidential in accordance with Rule 4 of the ERC Rules. **Annexes “E”, “E-1”, “E-2”, “E-3”, “K”, “O”, “R” and “T”**, attached hereto contain confidential information critical to the business operation of the Applicant, including trade secrets and business calculations, assumptions and projections, as well as personal employee information which may be covered by the Data Privacy Act.

PRAYER

Wherefore, Applicant EDC most respectfully prays that this Honorable Commission:

1. Issue an order provisionally authorizing EDC to develop, own, and operate the Connection Asset for the Bac-Man Battery Energy Storage System Project; and;
2. After due notice and hearing, issue a final order: i) making the provisional authority a permanent authority to develop, own and operate the Connection Asset; and ii) authorizing EDC to operate and maintain the Connection Asset until such time said Connection Asset is otherwise re-classified – to be owned, operated and maintained by NGCP.
3. Issue an Order declaring the documents, and the information therein, duly marked as **Annexes “E”, “E-1”, “E-2”, “E-3”, “K”, “O”, “R” and “T”** as confidential information, within the purview of Rule 4 of the ERC Rules, thereby directing the same to be treated with confidentiality and be protected from public disclosure.

Other just and equitable reliefs are likewise prayed for.

xxx

Finding the said *Application* to be sufficient in form and with the required fees having been paid, the Commission hereby sets the same for hearing for determination of compliance with the jurisdictional requirements, expository presentation and Pre-Trial Conference²⁰ on

²⁰ In the Commission's *Advisory* dated 26 July 2023, the Commission adopted the Summary Proceedings in accordance with Rule 17 of the Commission's Revised Rules of Practice and

27 September 2024 (Friday), at nine o'clock in the morning (9:00 A.M.), through MS Teams Application as the online platform for the conduct thereof, pursuant to Resolution No. 09, Series of 2020²¹ and Resolution No. 01, Series of 2021 (ERC Revised Rules of Practice and Procedure).²²

RELATIVE THERETO, Applicant EDC is hereby directed to:

- 1) Cause the publication of the attached *Notice of Virtual Hearing* once (1x) in a newspaper of nationwide circulation in the Philippines at its own expense, at least ten (10) calendar days before the date of the scheduled hearing;
- 2) Furnish with copies of this *Order* and the attached *Notice of Virtual Hearing* the Offices of the Provincial Governor, the Mayors, and the Local Government Unit (LGU) legislative bodies of the area affected by the project for the appropriate posting thereof on their respective bulletin boards;
- 3) Inform the consumers within the affected area, by any other means available and appropriate, of the filing of the *Application*, its reasons therefor, and of the scheduled hearing thereon;
- 4) Furnish with copies of this *Order* and the attached *Notice of Virtual Hearing*, the Office of the Solicitor General (OSG), the Commission on Audit (COA), and the Committees on Energy of both Houses of Congress. They are hereby requested, if they so desire to send their duly authorized representatives and attend the scheduled hearing; and
- 5) Furnish with copies of the *Application* and its attachments, except those subject of a motion for confidential treatment of information, all those making requests therefor, subject to reimbursement of reasonable photocopying costs.

Procedure (ERC Revised RPP) in the filing, processing and evaluation of the applications for authority to develop and own or operate dedicated point-point limited transmission facilities, in the following instances: (1) Applications without intervenors, or uncontested applications; and (2) Applications with intervenors, provided all parties have agreed to subject the application to summary proceedings. Under the said summary proceedings and in accordance with Rule 17 of the ERC Revised RPP, the Applicant's presentation of evidence is through the submission and offering of the affidavits of its witnesses and other pieces of evidence within the time allowed by the Commission.

²¹ A Resolution Adopting the Guidelines Governing Electronic Applications, Filings and Virtual Hearings Before the Energy Regulatory Commission.

²² A Resolution Adopting the Revised Rules of Practice and Procedure of the Energy Regulatory Commission.

Within ten (10) calendar days prior to the date of initial virtual hearing, Applicant EDC must submit to the Commission through the EVOSS portal and via e-mail at doCKET@erc.ph, copy furnish the Legal Service through legal@erc.ph, the scanned copies of its written compliance with the aforementioned jurisdictional requirements attaching the following methodically arranged and duly marked documents:

- 1) The evidence of publication of the attached *Notice of Virtual Hearing* consisting of affidavit of the Editor or Business Manager of the newspaper where the said *Notice of Virtual Hearing* was published, and the complete issue of the said newspaper;
- 2) The evidence of actual posting of this *Order* and the attached *Notice of Virtual Hearing* consisting of certifications issued to that effect, signed by the aforementioned Governor, Mayors, and LGU legislative bodies or their duly authorized representatives, bearing the seals of their offices;
- 3) The evidence of other means employed by the Applicant to inform the consumers within the affected area of the filing of the *Application*, the reasons therefor, and of the scheduled hearing thereon;
- 4) The evidence of receipt of copies of this *Order* and the attached *Notice of Virtual Hearing* by the OSG, the COA, and the Committees on Energy of both Houses of Congress;
- 5) The evidence of receipt of copies of the *Application* and its attachments, except those subject of a motion for confidential treatment of information, by all those making requests therefor, if any; and
- 6) Such other proofs of compliance with the requirements of the Commission.

Moreover, EDC is hereby required to post on its bulletin boards, the scanned copies of the foregoing jurisdictional requirements, together with the newspaper publication and certifications issued by

the concerned Offices of the Provincial Governor, Mayors, and LGU legislative bodies, and to submit proof of posting thereof.

Applicant EDC and all interested parties are also required to submit to the Commission via e-mail at doCKET@erc.ph, copy furnish the Legal Service through legal@erc.ph, **at least five (5) calendar days** before the date of the scheduled virtual hearing and Pre-Trial Conference, their respective Pre-Trial Briefs containing, among others:

- 1) A summary of admitted facts and proposed stipulation of facts;
- 2) The issues to be tried or resolved;
- 3) The documents or exhibits to be presented, stating the purposes and proposed markings therefor, which should also be attached to the Pre-Trial Brief; and
- 4) The number and names of the witnesses, with their written testimonies in a Judicial Affidavit form attached to the Pre-Trial Brief.

Applicant EDC must ensure that all the documents or exhibits proposed to be presented have already been duly submitted to the Commission **at least five (5) calendar days** before the date of the scheduled virtual hearing and Pre-Trial Conference pursuant to the preceding paragraph.

Failure of Applicant to comply with the above requirements within the prescribed period shall be a ground for cancellation of the scheduled hearing.

Applicant EDC must also be prepared to make an expository presentation of the instant *Application*, aided by whatever communication medium that it may deem appropriate for the purpose, in order to put in plain words and explain, for the benefit of the consumers and other concerned parties, the nature of the *Application*. Relevant information and pertinent details substantiating the reasons and justifications for the *Application* must be cited in support thereof.

Applicant EDC is hereby directed to file a copy of its Expository Presentation via e-mail at doCKET@erc.ph, and copy furnish the Legal Service through legal@erc.ph, **at least five (5) calendar days** prior

to the scheduled virtual hearing. Applicant shall also be required, upon the request of any stakeholder, to provide an advance copy of its expository presentation, **at least five (5) calendar days** prior to the scheduled virtual hearing.

Applicant EDC is further directed to submit, through personal service, registered mail or ordinary mail/private courier, one (1) set of the original or certified true hard copies of its Jurisdictional Compliance, Expository Presentation, Pre-Trial Brief, and Judicial Affidavits of witnesses, **within five (5) working days** from the date that the same were electronically submitted, as reflected in the acknowledgment receipt e-mail sent by the Commission.

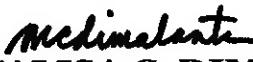
Further, National Grid Corporation of the Philippines (NGCP) is hereby impleaded as a Necessary Party–Intervenor and is directed to file its Comment **at least five (5) working days** prior to the initial hearing.

Finally, EDC and NGCP, including their authorized representatives and witnesses, are hereby directed to provide the Commission, thru legal.virtualhearings@erc.ph, their e-mail addresses upon receipt of this *Order*. The Commission will send the access link to the aforementioned hearing platform within five (5) working days prior to the scheduled hearing.

SO ORDERED.

Pasig City, 19 August 2024.

FOR AND BY AUTHORITY
OF THE COMMISSION:



MONALISA C. DIMALANTA
Chairperson and CEO jms

ERC

Office of the Chairperson and CEO



MCD2024-019057


LS: MND/ARG/MB

ERC CASE NO. 2024-033 MC
ORDER/ 19 August 2024
PAGE 15 OF 16

Copy Furnished:

1. Energy Development Corporation (EDC)
Applicant
9/F Rockwell Business Center Tower3
Ortigas Center, Pasig City
2. The Law Firm of Quiason Makalintal
Attys. Miguel K. Mathay and Gianna Maria C. Comsti
21/F Robinsons Equitable Tower
4 ADB Avenue, Ortigas Center, Pasig City
Email: ercfilings@qmlaw.com.ph
3. National Grid Corporation of the Philippines (NGCP)
Necessary Party - Intervenor
NGCP Building, Quezon Avenue cor. BIR Road
Diliman, Quezon City
litigation®ulatory@ngcp.ph; corpcom@ngcp.com.ph
4. Office of the City Mayor
Pasig City Hall
Carucho Ave., Brgy. San Nicolas, Pasig City
5. Office of the Sangguniang Panlungsod
Pasig City Hall
Carucho Ave., Brgy. San Nicolas, Pasig City
6. Office of the Municipal Mayor
Municipality of Manito, Albay
Manito Municipal Hall
Rizal St., It-ba (Poblacion),
7. Office of the Sangguniang Bayan
Municipality of Manito, Albay
Manito Municipal Hall
Rizal St., It-ba (Poblacion),
8. Office of the Provincial Governor
Province of Albay
Provincial Capitol, 4500 Gov Locsin St.,
Legazpi City, Albay
9. Office of the Sangguniang Panlalawigan
Province of Albay
Provincial Capitol, 4500 Gov Locsin St.,
Legazpi City, Albay
10. Office of the City Mayor
City Hall, Cabid-an, East District,
Sorsogon City
11. Office of the Sangguniang Panlungsod
City Hall, Cabid-an, East District,
Sorsogon City
12. Office of the Provincial Governor
Province of Sorsogon
Capitol Compound,
Sorsogon City
13. Office of the Sangguniang Panlalawigan
Province of Sorsogon
Capitol Compound,
Sorsogon City

ERC CASE NO. 2024-033 MC
ORDER/ 19 August 2024
PAGE 16 OF 16

14. The Office of the Solicitor General (OSG)
Amorsolo St., Legaspi Village, Makati City
docket@osg.gov.ph
15. The Commission on Audit (COA)
Don Mariano Marcos Avenue, Diliman, Quezon City
citizensdesk@coa.gov.ph
16. The Senate Committee on Energy
Senate of the Philippine
GSIS Bldg., Roxas Blvd., Pasay City
senateenergycommittee@gmail.com
17. The House Committee on Energy
House of Representatives, Batasan Hills, Quezon City
Committee.energy@house.gov.ph
18. National Grid Corporation of the Philippines (NGCP)
NGCP Building, Quezon Avenue cor. BIR Road
Diliman, Quezon City
litigation®ulatory@ngcp.ph; corpcom@ngcp.com.ph
19. Regulatory Operations Service (ROS)
Exquadra Tower, Jade Drive, Ortigas Center, Pasig City
ros@erc.ph